

Hand Drill With Battery Backup

USER MANUAL



Western Surgical

www.westernsurgical.in Email : westernsurgical@gmail.com

Email : info@westernsurgical.in Ph. : +91-281-2232871 / 2243159

7.3 WARRANTY CERTIFICATE

western surgical product is warranted to be free from electrical and mechanical defects in material and workmanship, under normal use. The western surgical product must not have been moved from the site of original installation. A new or remanufactured part to replace the defective part will be provided without charge for the part itself, through an authorized western surgical service dealer. The replacement part assumes the unused portion of the warranty.

WESTERN SURGICAL WILL NOT BE RESPONSIBLE FOR:

1. Damage or repairs required as a consequence of faulty installation or application by others.
2. Damage or repairs needed as a consequence of any misapplication, negligent handling, improper servicing, unauthorized alteration, or improper operations.
3. Failure to start due to voltage conditions, blown fuses, open circuit breakers or other damages due to the inadequacy or interruption of electrical service.
4. Damage as a result of floods, winds, fires, lightning, accidents, corrosive atmosphere, or other conditions beyond the control of western surgical
5. Parts not supplied or designated by western surgical.

Date of Installation	Installed By
Model No.	Serial No.
Warranty Period	
Name of Doctor & Address :	

Customer Sign. With Stamps

Marketed By: Western Surgical
Sign. With Stamps

No Claim Warranty :

- 1) Any Defect Throughout Power Supply
- 2) Any Physical Damage

3) Under Warranty Standby Unit Not Provide

4) Under Warranty When Company Send Parts or Machine we Imidiat send to Buyer.

* Carrying Warranty at Rajkot Office only on site warranty not provided free of cost.

* Due to constant upgradation design, price and features are subject to change any time without prior notice.

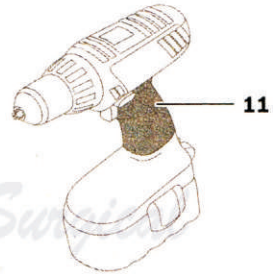
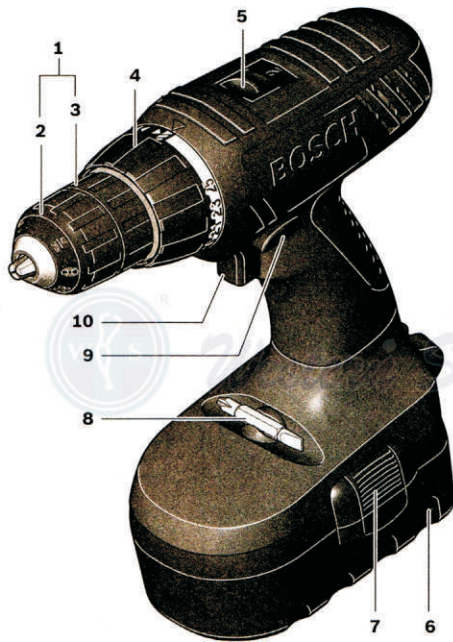


Western Surgical

www.westernsurgical.in

Email : westernsurgical@gmail.com

Ph. : +91-281-2232871 / 2243159



* Carrying Warranty at Rajkot Office only on site warranty not provided free of cost.

* Due to constant upgradation design, price and features are subject to change any time without prior notice.

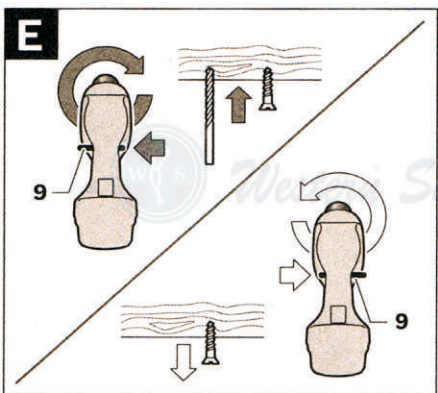
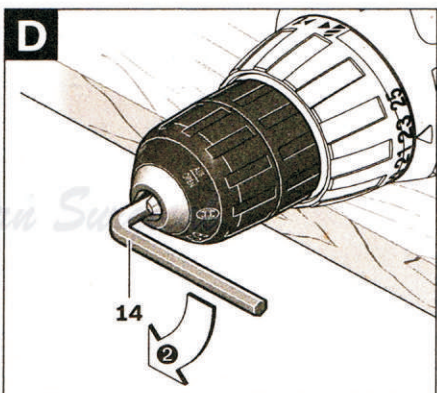
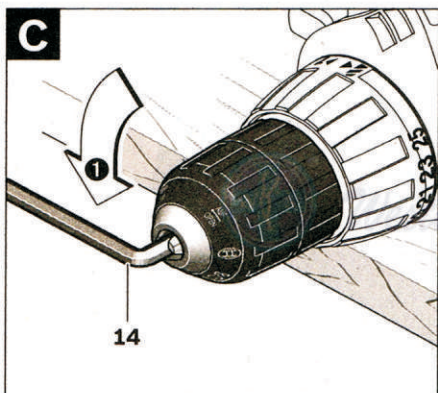
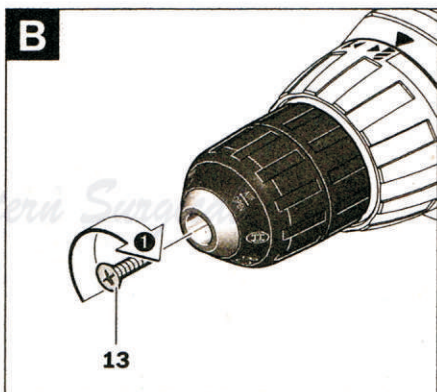
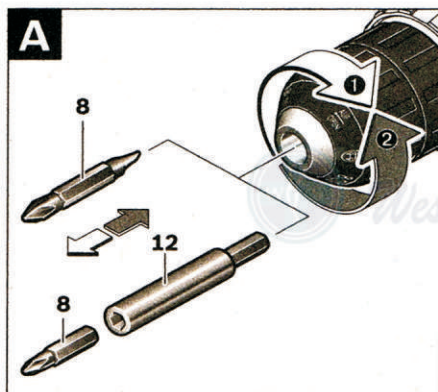


Western Surgical

www.westernsurgical.in

Email : westernsurgical@gmail.com

Ph. : +91-281-2232871 / 2243159



* Carrying Warranty at Rajkot Office only on site warranty not provided free of cost.

* Due to constant upgradation design, price and features are subject to change any time without prior notice.



Western Surgical

www.westernsurgical.in

Email : westernsurgical@gmail.com

Ph. : +91-281-2232871 / 2243159

English

Safety Notes

General Power Tool Safety Warnings

⚠ WARNING Read all safety warnings and all instructions. Failure to follow the warnings and instructions may result in electric shock, fire and/or serious injury.

Save all warnings and instructions for future reference.

The term "power tool" in the warnings refers to your mains-operated (corded) power tool or battery-operated (cordless) power tool.

Work area safety

- ▶ **Keep work area clean and well lit.** Cluttered or dark areas invite accidents.
- ▶ **Do not operate power tools in explosive atmospheres, such as in the presence of flammable liquids, gases or dust.** Power tools create sparks which may ignite the dust or fumes.
- ▶ **Keep children and bystanders away while operating a power tool.** Distractions can cause you to lose control.

Electrical safety

- ▶ **Power tool plugs must match the outlet. Never modify the plug in any way. Do not use any adapter plugs with earthed (grounded) power tools.** Unmodified plugs and matching outlets will reduce risk of electric shock.
- ▶ **Avoid body contact with earthed or grounded surfaces, such as pipes, radiators, ranges and refrigerators.** There is an increased risk of electric shock if your body is earthed or grounded.
- ▶ **Do not expose power tools to rain or wet conditions.** Water entering a power tool will increase the risk of electric shock.
- ▶ **Do not abuse the cord. Never use the cord for carrying, pulling or unplugging the power tool. Keep cord away from heat, oil, sharp edges and moving parts.** Damaged or entangled cords increase the risk of electric shock.
- ▶ **When operating a power tool outdoors, use an extension cord suitable for outdoor use.** Use of a cord suitable for outdoor use reduces the risk of electric shock.
- ▶ **If operating a power tool in a damp location is unavoidable, use a residual current device (RCD) protected supply.** Use of an RCD reduces the risk of electric shock.

Personal safety

- ▶ **Stay alert, watch what you are doing and use common sense when operating a power tool. Do not use a power tool while you are tired or under the influence of drugs, alcohol or medication.** A moment of inattention while operating power tools may result in serious personal injury.
- ▶ **Use personal protective equipment. Always wear eye protection.** Protective equipment such as dust mask, non-skid safety shoes, hard hat, or hearing protection used for appropriate conditions will reduce personal injuries.

- ▶ **Prevent unintentional starting. Ensure the switch is in the off-position before connecting to power source and/or battery pack, picking up or carrying the tool.** Carrying power tools with your finger on the switch or engaging power tools that have the switch on invites accidents.
- ▶ **Remove any adjusting key or wrench before turning the power tool on.** A wrench or a key left attached to a rotating part of the power tool may result in personal injury.
- ▶ **Do not overreach. Keep proper footing and balance at all times.** This enables better control of the power tool in unexpected situations.
- ▶ **Dress properly. Do not wear loose clothing or jewelry. Keep your hair, clothing and gloves away from moving parts.** Loose clothes, jewellery or long hair can be caught in moving parts.
- ▶ **If devices are provided for the connection of dust extraction and collection facilities, ensure these are connected and properly used.** Use of dust collection can reduce dust-related hazards.

Power tool use and care

- ▶ **Do not force the power tool. Use the correct power tool for your application.** The correct power tool will do the job better and safer at the rate for which it was designed.
- ▶ **Do not use the power tool if the switch does not turn it on and off.** Any power tool that cannot be controlled with the switch is dangerous and must be repaired.
- ▶ **Disconnect the plug from the power source and/or the battery pack from the power tool before making any adjustments, changing accessories, or storing power tools.** Such preventive safety measures reduce the risk of starting the power tool accidentally.
- ▶ **Store idle power tools out of the reach of children and do not allow persons unfamiliar with the power tool or these instructions to operate the power tool.** Power tools are dangerous in the hands of untrained users.
- ▶ **Maintain power tools. Check for misalignment or binding of moving parts, breakage of parts and any other condition that may affect the power tool's operation. If damaged, have the power tool repaired before use.** Many accidents are caused by poorly maintained power tools.
- ▶ **Keep cutting tools sharp and clean.** Properly maintained cutting tools with sharp cutting edges are less likely to bind and are easier to control.
- ▶ **Use the power tool, accessories and tool bits etc. in accordance with these instructions, taking into account the working conditions and the work to be performed.** Use of the power tool for operations different from those intended could result in a hazardous situation.

Battery tool use and care

- ▶ **Recharge only with the charger specified by the manufacturer.** A charger that is suitable for one type of battery pack may create a risk of fire when used with another battery pack.

* Carrying Warranty at Rajkot Office only on site warranty not provided free of cost.

* Due to constant upgradation design, price and features are subject to change any time without prior notice.



Western Surgical

www.westernsurgical.in

Email : westernsurgical@gmail.com

Ph. : +91-281-2232871 / 2243159

- ▶ **Use power tools only with specifically designated battery packs.** Use of any other battery packs may create a risk of injury and fire.
- ▶ **When battery pack is not in use, keep it away from other metal objects, like paper clips, coins, keys, nails, screws or other small metal objects, that can make a connection from one terminal to another.** Shorting the battery terminals together may cause burns or a fire.
- ▶ **Under abusive conditions, liquid may be ejected from the battery; avoid contact. If contact accidentally occurs, flush with water. If liquid contacts eyes, additionally seek medical help.** Liquid ejected from the battery may cause irritation or burns.

- ▶ **Do not open the battery.** Danger of short-circuiting.



Protect the battery against heat, e. g., against continuous intense sunlight, fire, water, and moisture. Danger of explosion.

- ▶ **Use only original Bosch batteries with the voltage listed on the nameplate of your power tool.** When using other batteries, e. g. imitations, reconditioned batteries or other brands, there is danger of injury as well as property damage through exploding batteries.

Product Description and Specifications



Read all safety warnings and all instructions. Failure to follow the warnings and instructions may result in electric shock, fire and/or serious injury.

Service

- ▶ **Have your power tool serviced by a qualified repair person using only identical replacement parts.** This will ensure that the safety of the power tool is maintained.

Safety Warnings for Drills and Screwdriver

- ▶ **Hold power tool by insulated gripping surfaces, when performing an operation where the cutting accessory or fastener may contact hidden wiring.** Cutting accessory and fasteners contacting a "live" wire may make exposed metal parts of the power tool "live" and could give the operator an electric shock.
- ▶ **Use appropriate detectors to determine if utility lines are hidden in the work area or call the local utility company for assistance.** Contact with electric lines can lead to fire and electric shock. Damaging a gas line can lead to explosion. Penetrating a water line causes property damage.
- ▶ **Switch off the power tool immediately when the tool insert jams. Be prepared for high reaction torque that can cause kickback.** The tool insert jams when:
 - the power tool is subject to overload or
 - it becomes wedged in the workpiece.
- ▶ **Use auxiliary handle(s), if supplied with the tool.** Loss of control can cause personal injury.
- ▶ **Hold the machine with a firm grip.** High reaction torque can briefly occur while driving in and loosening screws.
- ▶ **Secure the workpiece.** A workpiece clamped with clamping devices or in a vice is held more secure than by hand.
- ▶ **Always wait until the machine has come to a complete stop before placing it down.** The tool insert can jam and lead to loss of control over the power tool.

Intended Use

The machine is intended for driving in and loosening screws as well as for drilling in wood, metal, ceramic and plastic.

Product Features

The numbering of the product features refers to the illustration of the machine on the graphics page.

- 1 Keyless chuck
- 2 Front sleeve
- 3 Rear sleeve
- 4 Torque preselection ring
- 5 Gear selector
- 6 Battery*
- 7 Battery unlocking button
- 8 Screwdriver bit*
- 9 Rotational direction switch
- 10 On/Off switch
- 11 Handle (insulated gripping surface)
- 12 Universal bit holder*
- 13 Securing screw for keyless chuck
- 14 Allen Key**

*Accessories shown or described are not part of the standard delivery scope of the product. A complete overview of accessories can be found in our accessories program.

**Commercially available (not included in the delivery scope)

Technical Data

Cordless Drill/Driver	GSR ... Professional	7,2-2	9,6-2	12-2	14,4-2	18-2
Article number	3 601 ...	J18 N..	J18 L..	J18 J..	J18 G..	J18 3..
Rated voltage	V=	7.2	9.6	12	14.4	18
No-load speed						
– 1st gear	min ⁻¹	0–400	0–400	0–400	0–400	0–400
– 2nd gear	min ⁻¹	0–1000	0–1000	0–1200	0–1400	0–1250

Please observe the article number on the type plate of your machine. The trade names of the individual machines may vary.

* Carrying Warranty at Rajkot Office only on site warranty not provided free of cost.

** Due to constant upgradation design, price and features are subject to change any time without prior notice.



Western Surgical

www.westernsurgical.in

Email : westernsurgical@gmail.com

Ph. : +91-281-2232871 / 2243159

Cordless Drill/Driver	GSR ... Professional	7,2-2	9,6-2	12-2	14,4-2	18-2
Max. torque for hard/soft screwdriving application according to ISO 5393	Nm	21/9	25/10	27/11	30/15	45/22
Maximum drilling diameter (1st/2nd gear)						
- Steel	mm	10/10	10/10	12/12	12/12	12/12
- Wood	mm	17/12	20/13	23/14	26/19	29/22
Max. screw dia.	mm	6	6	7	8	8
Chuck clamping range	mm	1-10	1-10	1-10	1-10	1-10
Drill spindle thread		3/8"	3/8"	3/8"	3/8"	3/8"
Weight according to EPTA-Procedure 01/2003	kg	1.4	1.5	1.6	1.7	1.9

Please observe the article number on the type plate of your machine. The trade names of the individual machines may vary.

Assembly

Battery Charging

A battery that is new or has not been used for a longer period does not develop its full capacity until after approx. 5 charging/discharging cycles.

To remove the battery **6** press the unlocking buttons **7** and pull out the battery downwards. **Do not exert any force.**

The battery is equipped with a NTC temperature control which allows charging only within a temperature range of between 0 °C and 45 °C. A long battery service life is achieved in this manner.

A significantly reduced working period after charging indicates that the battery is used and must be replaced.

Observe the notes for disposal.

Changing the Tool (see figure A)

► **Before any work on the machine (e. g., maintenance, tool change, etc.) as well as during transport and storage, set the rotational direction switch to the centre position.** Unintentional actuation of the On/Off switch can lead to injuries.

Hold the rear sleeve **3** of the keyless chuck **1** tight and turn the front sleeve **2** in rotation direction **⚙**, until the tool can be inserted. Insert the tool.

Hold the rear sleeve **3** of the keyless chuck **1** tight and firmly turn the front sleeve **2** in rotation direction **⚙** by hand.

The locking is released again to remove the tool when the front sleeve **2** is turned in the opposite direction.

Replacing the Drill Chuck

► **Before any work on the machine (e. g., maintenance, tool change, etc.) as well as during transport and storage, set the rotational direction switch to the centre position.** Unintentional actuation of the On/Off switch can lead to injuries.

Removing the Securing Screw (see figure B)

The keyless chuck **1** is secured with a securing screw **13** against unintentional loosening from the drill spindle. Completely open the keyless chuck **1** and unscrew the securing screw **13** in rotation direction **⚙**. **Please note that the securing screw has a left-hand thread.**

Removing the Drill Chuck (see figure C)

Clamp the short end of an Allen key **14** into the keyless chuck **1**.

Place the machine on a stable surface (e. g. a workbench). Hold the machine firmly and loosen the keyless chuck **1** by turning the Allen key **14** in rotation direction **⚙**. Loosen a tight-seated keyless chuck by giving the long end of the Allen key **14** a light blow. Remove the Allen key from the keyless chuck and completely unscrew the keyless chuck.

Mounting the Drill Chuck (see figure D)

The keyless chuck is mounted in reverse order.

⚠ The drill chuck must be tightened with a tightening torque of approx. 17 - 22 Nm.

Screw the securing screw **13** in anti-clockwise direction into the opened keyless chuck. Always use a new securing screw, as the threads are covered with a thread-locking compound that loses its effect after multiple usage.

Dust/Chip Extraction

► Dusts from materials such as lead-containing coatings, some wood types, minerals and metal can be harmful to one's health. Touching or breathing-in the dusts can cause allergic reactions and/or lead to respiratory infections of the user or bystanders.

Certain dusts, such as oak or beech dust, are considered as carcinogenic, especially in connection with wood-treatment additives (chromate, wood preservative). Materials containing asbestos may only be worked by specialists.

- Provide for good ventilation of the working place.
- It is recommended to wear a P2 filter-class respirator.

Observe the relevant regulations in your country for the materials to be worked.

► **Prevent dust accumulation at the workplace.** Dusts can easily ignite.

* Carrying Warranty at Rajkot Office only on site warranty not provided free of cost.

** Due to constant upgradation design, price and features are subject to change any time without prior notice.



Western Surgical

www.westernsurgical.in

Email : westernsurgical@gmail.com

Ph. : +91-281-2232871 / 2243159

Operation

Starting Operation

Inserting the Battery

▶ Use only original Bosch O-pack batteries with the voltage given on the type plate of your machine. The use of other batteries can lead to injuries and danger of fire.

Set the rotational direction switch **9** to the centre position in order to avoid unintentional starting. Insert the charged battery **6** into the handle so that it can be felt to engage and faces flush against the handle.

Reversing the Rotational Direction (see figure E)

The rotational direction switch **9** is used to reverse the rotational direction of the machine. However, this is not possible with the On/Off switch **10** actuated.

Right Rotation: For drilling and driving in screws, push the rotational direction switch **9** left to the stop.

Left Rotation: For loosening or unscrewing screws, push the rotational direction switch **9** right to the stop.

Setting the Torque

With the torque presetting ring **4** the required torque setting can be preselected in 25+1 steps. With the correct setting, the insert tool is stopped as soon as the screw is screwed flush into the material or when the adjusted torque is reached. The safety clutch is deactivated in the "∞" position, e. g. for drilling.

Select a higher setting or switch to the "∞" symbol when unscrewing screws.

Gear Selection, Mechanical

▶ Actuate the gear selector **5** only when the machine is at a standstill.

Two speed ranges can be preselected with the gear selector **5**.

Gear I:

Low speed range; for screwdriving or working with large drilling diameter.

Gear II:

High speed range; for working with small drilling diameter. If the gear selector **5** cannot be pushed through to the stop, lightly turn the drill chuck with drill.

Switching On and Off

To start the machine, press the On/Off switch **10** and keep it pressed.

To switch off the machine, release the On/Off switch **10**.

Adjusting the Speed

The speed of the switched on power tool can be variably adjusted, depending on how far the On/Off switch **10** is pressed.

Light pressure on the On/Off switch **10** results in a low rotational speed. Further pressure on the switch results in an increase in speed.

Run-on Brake

When the On/Off switch **10** is released, the chuck brakes to a stop, thus preventing the run-on of the tool.

When driving in screws, wait until the screw is screwed in flush with the material and then release the On/Off switch **10**. By doing so, the head of the screw does not penetrate into the material.

Working Advice

▶ Apply the power tool to the screw only when it is switched off. Rotating tool inserts can slip off.

Tips

After longer periods of working at low speed, allow the machine to cool down by running it for approx. 3 minutes at maximum speed with no load.

For drilling in metal, use only perfectly sharpened HSS drill bits (HSS = high-speed steel). The appropriate quality is guaranteed by the Bosch accessories program.

Before screwing larger, longer screws into hard materials, it is advisable to predrill a pilot hole with the core diameter of the thread to approx. $\frac{2}{3}$ of the screw length.

Maintenance and Service

Maintenance and Cleaning

▶ Before any work on the machine (e. g., maintenance, tool change, etc.) as well as during transport and storage, set the rotational direction switch to the centre position. Unintentional actuation of the On/Off switch can lead to injuries.

▶ For safe and proper working, always keep the machine and ventilation slots clean.

If the machine should fail despite the care taken in manufacturing and testing procedures, repair should be carried out by an after-sales service centre for Bosch power tools.

In all correspondence and spare parts order, please always include the 10-digit article number given on the type plate of the machine.

After-sales Service and Customer Assistance

Our after-sales service responds to your questions concerning maintenance and repair of your product as well as spare parts. Exploded views and information on spare parts can also be found under:

www.bosch-pt.com

Our customer service representatives can answer your questions concerning possible applications and adjustment of products and accessories.

* Carrying Warranty at Rajkot Office only on site warranty not provided free of cost.

** Due to constant upgradation design, price and features are subject to change any time without prior notice.



Western Surgical

www.westernsurgical.in

Email : westernsurgical@gmail.com

Ph. : +91-281-2232871 / 2243159

People's Republic of China**China Mainland**

Bosch Power Tools (China) Co., Ltd.
567, Bin Kang Road
Bin Jiang District 310052
Hangzhou, P. R. China
Service Hotline: 400 826 8484
Fax: +86 571 8777 4502
E-Mail: contact.ptcn@cn.bosch.com
www.bosch-pt.com.cn

HK and Macau Special Administrative Regions

Robert Bosch Hong Kong Co. Ltd.
21st Floor, 625 King's Road
North Point, Hong Kong
Customer Service Hotline: +852 (21) 02 02 35
Fax: +852 (25) 90 97 62
E-Mail: info@hk.bosch.com
www.bosch-pt.com.hk

Indonesia

PT. Multi Mayaka
Kawasan Industri Pulogadung
Jalan Rawa Gelam III No. 2
Jakarta 13930
Indonesia
Tel.: +62 (21) 46 83 25 22
Fax: +62 (21) 46 82 86 45/68 23
E-Mail: sales@multimayaka.co.id
www.bosch-pt.co.id

Philippines

Robert Bosch, Inc.
28th Floor Fort Legend Towers,
3rd Avenue corner 31st Street,
Fort Bonifacio Global City,
1634 Taguig City, Philippines
Tel.: +63 (2) 870 3871
Fax: +63 (2) 870 3870
matheus.contiero@ph.bosch.com
www.bosch-pt.com.ph
Bosch Service Center:
9725-27 Kamagong Street
San Antonio Village
Makati City, Philippines
Tel.: +63 (2) 899 9091
Fax: +63 (2) 897 6432
rosalie.dagdagan@ph.bosch.com

Malaysia

Robert Bosch (S.E.A.) Pte. Ltd.
No. 8A, Jalan 13/6
G.P.O. Box 10818
46200 Petaling Jaya
Selangor, Malaysia
Tel.: +60 (3) 7966 3194
Fax: +60 (3) 7958 3838
cheehoe.on@my.bosch.com
Toll-Free: 1800 880 188
www.bosch-pt.com.my

Thailand

Robert Bosch Ltd.
Liberty Square Building
No. 287, 11 Floor
Silom Road, Bangrak
Bangkok 10500
Tel.: +66 (2) 6 31 18 79 - 18 88 (10 lines)
Fax: +66 (2) 2 38 47 83
Robert Bosch Ltd., P. O. Box 2054
Bangkok 10501, Thailand
Bosch Service - Training Centre
2869-2869/1 Soi Ban Kluay
Rama IV Road (near old Paknam Railway)
Prakanong District
10110 Bangkok
Thailand
Tel.: +66 (2) 6 71 78 00 - 4
Fax: +66 (2) 2 49 42 96
Fax: +66 (2) 2 49 52 99

Singapore

Robert Bosch (SEA) Pte. Ltd.
11 Bishan Street 21
Singapore 573943
Tel.: +65 6571 2772
Fax: +65 6350 5315
leongheng.leow@sg.bosch.com
Toll-Free: 1800 333 8333
www.bosch-pt.com.sg

Vietnam

Robert Bosch Vietnam Co. Ltd
10/F, 194 Golden Building
473 Dien Bien Phu Street
Ward 25, Binh Thanh District
84 Ho Chi Minh City
Vietnam
Tel.: +84 (8) 6258 3690 ext. 413
Fax: +84 (8) 6258 3692
hieu.lagia@vn.bosch.com
www.bosch-pt.com

Australia, New Zealand and Pacific Islands

Robert Bosch Australia Pty. Ltd.
Power Tools
Locked Bag 66
Clayton South VIC 3169
Customer Contact Center
Inside Australia:
Phone: +61 (01300) 307 044
Fax: +61 (01300) 307 045
Inside New Zealand:
Phone: +64 (0800) 543 353
Fax: +64 (0800) 428 570
Outside AU and NZ:
Phone: +61 (03) 9541 5555
www.bosch.com.au

* Carrying Warranty at Rajkot Office only on site warranty not provided free of cost.

** Due to constant upgradation design, price and features are subject to change any time without prior notice.



Western Surgical

www.westernsurgical.in

Email : westernsurgical@gmail.com

Ph. : +91-281-2232871 / 2243159

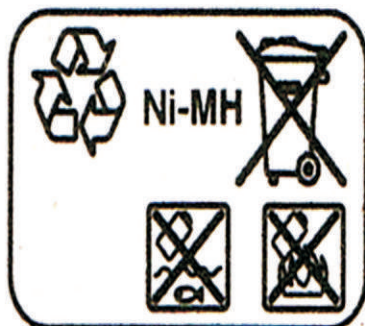
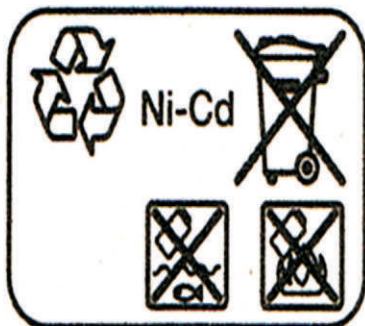
Disposal



The machine, rechargeable batteries, accessories and packaging should be sorted for environmental-friendly recycling.

Do not dispose of power tools and batteries/rechargeable batteries into household waste!

Battery packs/batteries:



Ni-Cd: Nickel cadmium

Warning: These battery packs contain cadmium, a highly toxic heavy metal.

Ni-MH: Nickel metal hydride

Subject to change without notice.

* Carrying Warranty at Rajkot Office only on site warranty not provided free of cost.

* Due to constant upgradation design, price and features are subject to change any time without prior notice.

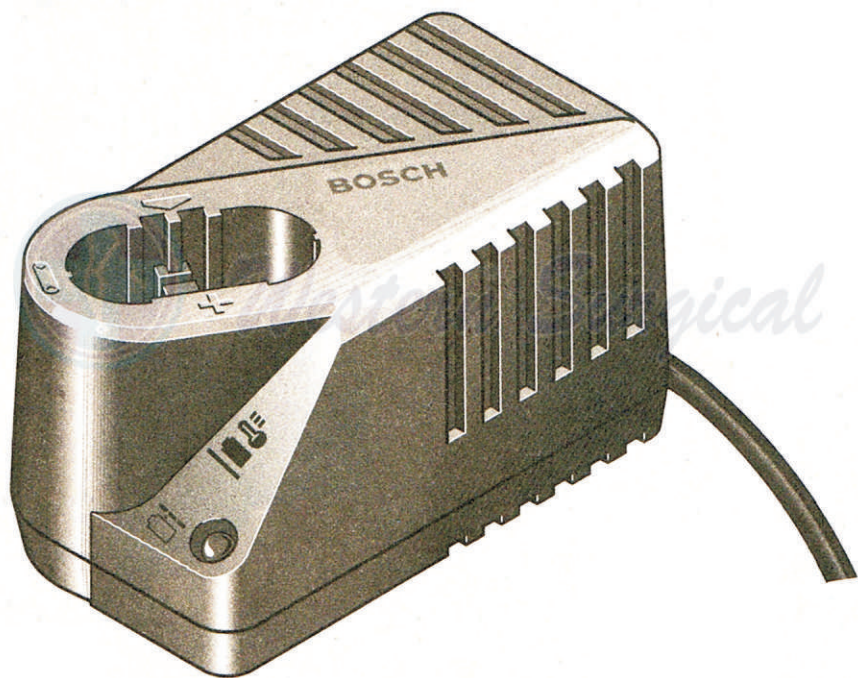


Western Surgical

www.westernsurgical.in

Email : westernsurgical@gmail.com

Ph. : +91-281-2232871 / 2243159



* Carrying Warranty at Rajkot Office only on site warranty not provided free of cost.

* Due to constant upgradation design, price and features are subject to change any time without prior notice.

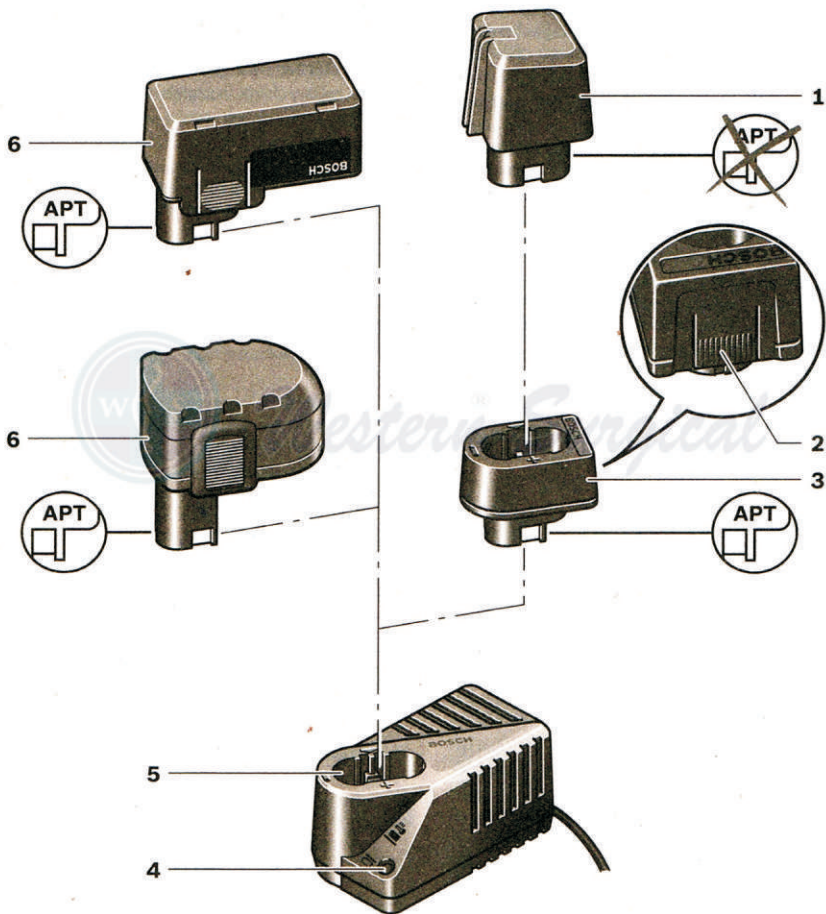


Western Surgical

www.westernsurgical.in

Email : westernsurgical@gmail.com

Ph. : +91-281-2232871 / 2243159



**AL 1411 DV
Professional**

* Carrying Warranty at Rajkot Office only on site warranty not provided free of cost.

* Due to constant upgradation design, price and features are subject to change any time without prior notice.



Western Surgical

www.westernsurgical.in

Email : westernsurgical@gmail.com

Ph. : +91-281-2232871 / 2243159

English

Safety Notes



Keep the battery charger away from rain or moisture. Penetration of water in the battery charger increases the risk of an electric shock.

- ▶ **Only charge Bosch NiCd/NiMH batteries or batteries installed in Bosch products with the voltages listed in the technical data.** Otherwise there is danger of fire and explosion.
- ▶ **Keep the battery charger clean.** Contamination can lead to danger of an electric shock.
- ▶ **Before each use, check the battery charger, cable and plug. If damage is detected, do not use the battery charger. Never open the battery charger yourself. Have repairs performed only by a qualified technician and only using original spare parts.** Damaged battery chargers, cables and plugs increase the risk of an electric shock.
- ▶ **Do not operate the battery charger on easily inflammable surfaces (e. g., paper, textiles, etc.) or surroundings.** The heating of the battery charger during the charging process can pose a fire hazard.
- ▶ **Under abusive conditions, liquid may be ejected from the battery; avoid contact. If contact accidentally occurs, flush with water. If liquid contacts eyes, additionally seek medical help.** Liquid ejected from the battery may cause irritations or burns.
- ▶ **Supervise children.** This will ensure that children do not play with the charger.
- ▶ **Children or persons that owing to their physical, sensory or mental limitations or to their lack of experience or knowledge, are not capable of securely operating the charger, may only use this charger under supervision or after having been instructed by a responsible person.** Otherwise, there is danger of operating errors and injuries.

Products sold in **GB only:** Your product is fitted with a BS 1363/A approved electric plug with internal fuse (ASTA approved to BS 1362).

If the plug is not suitable for your socket outlets, it should be cut off and an appropriate plug fitted in its place by an authorised customer service agent. The replacement plug should have the same fuse rating as the original plug.

The severed plug must be disposed of to avoid a possible shock hazard and should never be inserted into a mains socket elsewhere.

Product Description and Specifications



Read all safety warnings and all instructions. Failure to follow the warnings and instructions may result in electric shock, fire and/or serious injury.

Save these instructions.

Use the battery charger only when you fully understand and can perform all functions without limitation, or have received appropriate instructions.

Product Features

The numbering of the product features refers to the illustration of the battery charger on the graphics page.

- 1 Battery without contact APT*
- 2 Unlocking button for adapter*
- 3 Adapter for battery without contact APT*
- 4 Green battery charge indicator
- 5 Charging compartment
- 6 Battery with contact APT*

*Accessories shown or described are not part of the standard delivery scope of the product. A complete overview of accessories can be found in our accessories program.

Technical Data

Battery Charger		AL 1411 DV
		Professional
Article number		2 607 224 ...
Output voltage (automatic voltage detection)	V _m	7.2 – 14.4
Charging current		
– Rapid charging	mA	1 000
– Trickle charging	mA	60
Allowable charging temperature range	°C	0 – 45
Charging time for battery capacity, approx.		
– 1.2 Ah	min	70
– 1.4 Ah	min	80
– 1.7 Ah	min	100
– 2.0 Ah	min	120
– 2.4 Ah	min	144
– 3.0 Ah	min	180
Number of battery cells		6 – 12
Weight according to EPTA-Procedure 01/2003	kg	0.9
Protection class		□ / II

Operation

Starting Operation

- ▶ **Observe the mains voltage!** The voltage of the power supply must correspond with the data given on the name-plate of the battery charger. Battery chargers marked with 230 V can also be operated with 220 V.

* Carrying Warranty at Rajkot Office only on site warranty not provided free of cost.

* Due to constant upgradation design, price and features are subject to change any time without prior notice.



Western Surgical

www.westernsurgical.in

Email : westernsurgical@gmail.com

Ph. : +91-281-2232871 / 2243159

Charging Procedure

The charging procedure starts as soon as the mains plug of the battery charger is plugged into the socket outlet and the battery 6 is inserted into the charging compartment 5.

For charging Bosch batteries without contact APT 1, use adapter 3.

To remove the adapter 3 from the charging compartment 5, press release button 2.

Due to the intelligent charging method, the charging condition of the battery is automatically detected and the battery is charged with the optimum charging current, depending on battery temperature and voltage.

This gives longer life to the battery and always leaves it fully charged when kept in the charger for storage.

Note: The charging procedure is only possible when the battery temperature is within the allowable charging temperature range, see Section "Technical Data".

Meaning of the Indication Elements

Flashing Battery Charge Indicator 4



The charging procedure is signalled by a **flashing** battery charge indicator 4.

Continuous Lighting of the Battery Charge Indicator 4



Continuous lighting of the battery charge indicator 4 indicates that the battery is fully charged **or** that the temperature of the battery is not within the allowable charging

temperature range, and cannot be charged for this reason. The battery is charged as soon as the allowable charging temperature range is reached.

When the battery is fully charged, the battery charger immediately switches to trickle charging. This compensates the natural self-discharging of the battery.

When the battery is not inserted, **continuous lighting** of the battery charge indicator 4 indicates that the mains plug is inserted in the socket and that the battery charger is ready for operation.

Troubleshooting - Causes and Corrective Measures

Cause	Corrective Measure
Continuous lighting of the battery charge indicator 4 No charging procedure possible	
Battery not (properly) inserted	Properly insert battery into battery charger
Battery contacts contaminated	Clean the battery contacts (e.g. by inserting and removing the battery several times) or replace the battery
Battery defective	Replace the battery

Cause	Corrective Measure
Battery charge indicator 4 does not light up	
Mains plug of battery charger not plugged in (properly)	Insert mains plug (fully) into the socket outlet
Socket outlet, mains cable or battery charger defective	Check the mains voltage; have the battery charger checked by an authorised after-sales service agent for Bosch power tools

Working Advice

With continuous or several repetitive charging cycles without interruption, the charger can warm up. This is not meaningful and does not indicate a technical defect of the battery charger.

A battery that is new or that has not been used for a longer period will not achieve its full capacity until after approx. 5 charging and discharging cycles. Leave such a battery in the battery charger until it has warmed up considerably.

A significantly reduced working period after charging indicates that the battery is used and must be replaced.

Maintenance and Service

Maintenance and Cleaning

If the battery charger should fail despite the care taken in manufacturing and testing procedures, repair should be carried out by an authorised after-sales service agent for Bosch power tools.

In all correspondence and spare parts orders, please always include the 10-digit article number on the type plate of the battery charger.

After-sales Service and Customer Assistance

Our after-sales service responds to your questions concerning maintenance and repair of your product as well as spare parts. Exploded views and information on spare parts can also be found under:

www.bosch-pt.com

Our customer service representatives can answer your questions concerning possible applications and adjustment of products and accessories.

People's Republic of China

China Mainland

Bosch Power Tools (China) Co., Ltd.

567, Bin Kang Road

Bin Jiang District 310052

Hangzhou, P.R. China

Service Hotline: 400 826 8484

Fax: +86 571 8777 4502

E-Mail: contact.ptcn@cn.bosch.com

www.bosch-pt.com.cn

* Carrying Warranty at Rajkot Office only on site warranty not provided free of cost.

* Due to constant upgradation design, price and features are subject to change any time without prior notice.



Western Surgical

www.westernsurgical.in

Email : westernsurgical@gmail.com

Ph. : +91-281-2232871 / 2243159

HK and Macau Special Administrative Regions

Robert Bosch Hong Kong Co. Ltd.
21st Floor, 625 King's Road
North Point, Hong Kong
Customer Service Hotline: +852 (21) 02 02 35
Fax: +852 (25) 90 97 62
E-Mail: info@hk.bosch.com
www.bosch-pt.com.hk

Indonesia

PT. Multi Mayaka
Kawasan Industri Pulogadung
Jalan Rawa Gelam III No. 2
Jakarta 13930
Indonesia
Tel.: +62 (21) 46 83 25 22
Fax: +62 (21) 46 82 86 45/68 23
E-Mail: sales@multimayaka.co.id
www.bosch-pt.co.id

Philippines

Robert Bosch, Inc.
28th Floor Fort Legend Towers,
3rd Avenue corner 31st Street,
Fort Bonifacio Global City,
1634 Taguig City, Philippines
Tel.: +63 (2) 870 3871
Fax: +63 (2) 870 3870
matheus.contiero@ph.bosch.com
www.bosch-pt.com.ph

Bosch Service Center:
9725-27 Kamagong Street
San Antonio Village
Makati City, Philippines
Tel.: +63 (2) 899 9091
Fax: +63 (2) 897 6432
rosalie.dagdagan@ph.bosch.com

Malaysia

Robert Bosch (S.E.A.) Pte. Ltd.
No. 8A, Jalan 13/6
G.P.O. Box 10818
46200 Petaling Jaya
Selangor, Malaysia
Tel.: +60 (3) 7966 3194
Fax: +60 (3) 7958 3838
cheehoe.on@my.bosch.com
Toll-Free: 1800 880 188
www.bosch-pt.com.my

Thailand

Robert Bosch Ltd.
Liberty Square Building
No. 287, 11 Floor
Silom Road, Bangrak
Bangkok 10500
Tel.: +66 (2) 6 31 18 79 - 18 88 (10 lines)
Fax: +66 (2) 2 38 47 83
Robert Bosch Ltd., P. O. Box 2054
Bangkok 10501, Thailand

Bosch Service - Training Centre
2869-2869/1 Soi Ban Kluyay
Rama IV Road (near old Paknam Railway)
Prakanong District
10110 Bangkok
Thailand
Tel.: +66 (2) 6 71 78 00 - 4
Fax: +66 (2) 2 49 42 96
Fax: +66 (2) 2 49 52 99

Singapore

Robert Bosch (SEA) Pte. Ltd.
11 Bishan Street 21
Singapore 573943
Tel.: +65 6571 2772
Fax: +65 6350 5315
leongheng.leow@sg.bosch.com
Toll-Free: 1800 333 8333
www.bosch-pt.com.sg

Vietnam

Robert Bosch Vietnam Co. Ltd
10/F, 194 Golden Building
473 Dien Bien Phu Street
Ward 25, Binh Thanh District
84 Ho Chi Minh City
Vietnam
Tel.: +84 (8) 6258 3690 ext. 413
Fax: +84 (8) 6258 3692
hieu.lagia@vn.bosch.com
www.bosch-pt.com

Australia, New Zealand and Pacific Islands

Robert Bosch Australia Pty. Ltd.
Power Tools
Locked Bag 66
Clayton South VIC 3169
Customer Contact Center
Inside Australia:
Phone: +61 (01300) 307 044
Fax: +61 (01300) 307 045
Inside New Zealand:
Phone: +64 (0800) 543 353
Fax: +64 (0800) 428 570
Outside AU and NZ:
Phone: +61 (03) 9541 5555
www.bosch.com.au

Disposal

Battery chargers, accessories and packaging should be sorted for environmental-friendly recycling.

Do not dispose of battery chargers into household waste!

Subject to change without notice.

* Carrying Warranty at Rajkot Office only on site warranty not provided free of cost.

* Due to constant upgradation design, price and features are subject to change any time without prior notice.



Western Surgical

www.westernsurgical.in

Email : westernsurgical@gmail.com

Ph. : +91-281-2232871 / 2243159

Date : 15-10-2015

OUR OTHER PRODUCTS RANGE



* Carrying Warranty at Rajkot Office only on site warranty not provided free of cost.
* Due to constant upgradation design, price and features are subject to change any time without prior notice.

Western[®] Surgical

"Happy Home", 1st Floor, 23, Karanpara,
B/h. S.T. Bus Stand, Kanak Road,
Rajkot-360 001. Ph. : 0281-2232871/2243159
Mo. : 98250 69069 - 98250 45997
Email : westernsurgical@gmail.com
Email : info@westernsurgical.in

* www.westernsurgical.in *

